





# TABLE OF CONTENTS

**04. WHY CHOOSE SAUDER**

**05. DETAILS**

Design and Ordering  
KCMA Tested

**06. CABINET SPECS**

**11. CONSTRUCTION SPECS**

**12. CABINET DIMENSIONS**

**14. BASE CABINETS**

Base  
Base Double Door  
Base Full Height Door  
Base Full Height Double Door  
Drawer Base / Knee Base  
Tray Base / Sink Base / Farmhouse Sink Base  
Microwave Base / Easy Reach Corner Base  
Universal Blind Base

**22. WALL CABINETS**

Wall 12" High  
Wall 15" High  
Wall 18" High  
Wall 21" High  
Wall 24" High  
Wall 30" High Single Door / Double Door  
Wall 36" High Single Door / Double Door  
Wall 42" High Single Door / Double Door  
Blind Wall  
Wall Diagonal Cabinet  
Wall Microwave Cabinet

**33. OVEN CABINETS**

**34. LINEN CABINETS**

**35. UTILITY CABINETS**

**36. VANITY CABINETS**

Vanity Sink Base / Double Door  
Vanity Sink Drawer & Door Base  
Vanity Sink Drawer Base  
Vanity Base  
Vanity Drawer Base  
Combo Vanity Cabinets

**40. CABINETS ONLY**

No Fronts Option

**41. ADA COMPLIANT CABINETS**

**44. ACCESSORIES**

**51. MODIFICATIONS**

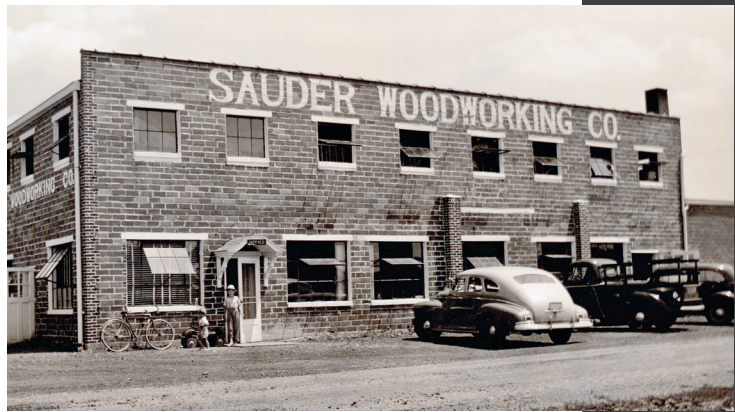
**52. CARE & CLEANING**

**53. INSTALLATION**

**54. WARRANTY**



# WHY CHOOSE SAUDER?



## ABOUT OUR COMPANY

For over 85 years, we've been making furniture with the same integrity, craftsmanship, and care. Sauder is a family owned (third-generation) company based in Archbold, Ohio. With some of the most technologically advanced equipment in the world, our facility (located on the same site pictured above circa 1937) features nearly 4 million square feet of manufacturing space, 1.2 million square feet of warehouse space, and employs about 2,000 workers. We pride ourselves on excellent customer service and fast turn-around time.

Sauder Cabinetry is a part of Sauder Building Products, our division committed to providing value, quality and environmentally conscious interior laminate products to the professional building materials market.



# SAUDER CABINETRY DETAILS



## DESIGN

Sauder Cabinetry can be priced and designed in the industry-leading 2020 Design software. Visit [saudercabinetry.com](http://saudercabinetry.com) to download our 2020 Design catalog. *2020 Design License required for use.*



ANSI/KCMA A161.1



KITCHEN CABINET MANUFACTURERS ASSOCIATION.  
ENVIRONMENTAL STEWARDSHIP PROGRAM (ESP).  
ALL PRODUCTS IMPACT THE ENVIRONMENT.  
FOR ESP PROGRAM CRITERIA, VISIT [KCMA.ORG](http://KCMA.ORG)

## KCMA TESTED

KCMA does your homework for you. Our cabinets passed the toughest tests of durability and performance in the marketplace today and have earned the prestigious KCMA Certification Seal.

## KCMA ENVIRONMENTAL STEWARDSHIP CERTIFICATION

At Sauder, we support and encourage responsible forest management practices that promote sustainability and result in long-term economic and environmental benefits. The KCMA Environmental Stewardship Certification proves our commitment to the intelligent use of our natural resources.

## ORDERING

### ONLINE DEALER PORTAL

Sauder's online Dealer Portal allows customers to place orders, track shipments, lookup invoices, download our 2020 Design catalog, and other marketing and specification details. New customers will be given a login at the time accounts are setup.

### SET UP AN ACCOUNT

Work with your local sales rep or contact us at [saudercabinetry@sauder.com](mailto:saudercabinetry@sauder.com) or **(419) 446-3429** to set up an account.

### EMAIL ORDERS

Email [saudercabinetry@sauder.com](mailto:saudercabinetry@sauder.com). Email orders can be accepted 24 hours a day; however, email orders received after 3:00PM will not be processed until the next business day.

When submitting email orders, Sauder Cabinetry prefers the following formats:

- 20/20 generated CSV output
- Provided Microsoft Excel® form

### FAX ORDERS

Fax orders to (419) 446-4911.

## SHIPPING

Cabinets ship fully assembled and ready for install. Freight can be arranged by the customer or by Sauder Cabinetry.

# HIGH QUALITY CABINETS

We took more than 85 years of manufacturing and furniture experience and developed a high quality, full access cabinet with premium details not found in other similarly priced cabinets. This means more finished edges, fewer visible seams, and our DuraGuard™ laminate finish with the appearance of a painted cabinet. In addition, KCMA's rigorous, in-laboratory compliance program measures the integrity of our cabinets through tests covering cabinet structure, door and drawer operation, and cabinetry finish.

## CABINET DETAILS

### CONSTRUCTION

5/8" furniture board  
glued and doweled  
construction

### EXTERIOR

DuraGuard™ electron beam  
cured laminate for a smooth  
paint-like finish with melamine  
performance

### SHELVES

3/4" particle board  
laminated with  
DuraGuard™ and  
edge banded with  
white thermoplastic  
edge banding

### FRONT EDGE

Thermoplastic edge  
banding color matched  
to door/drawer front

### DRAWER

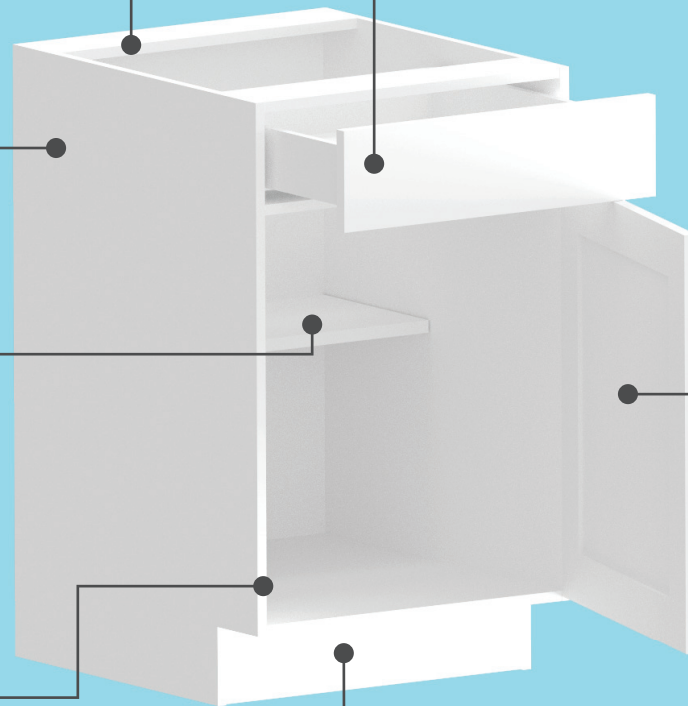
5-piece drawer box, 1/2" particle board sides &  
bottom, 360° wrapped in polypropylene  
laminate, undermount slides standard

### DOOR

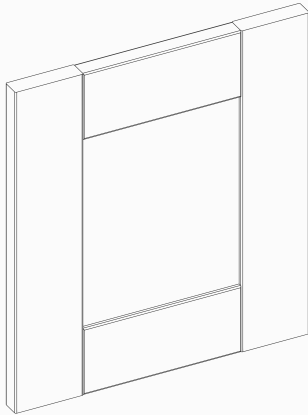
5-piece shaker  
construction with  
standard soft close  
hinges

### TOE KICK

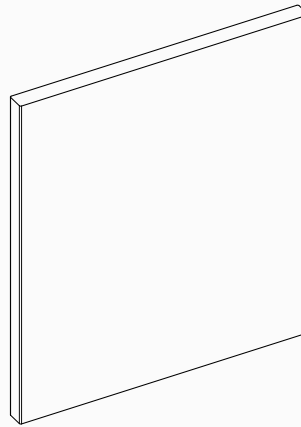
Bottom edge sealed from moisture with  
thermoplastic edge banding



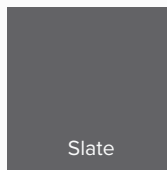
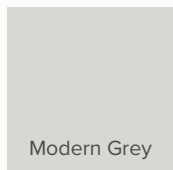
## DOOR OPTIONS



**SHAKER STYLE**



**SLAB STYLE**



Door and drawer fronts are 360° wrapped with DuraGuard™ laminate. DuraGuard™ electron beam cured coatings are engineered to exceed KCMA stain test standards.

## STANDARD CABINET DIMENSIONS

<b>WALL CABINETS</b>	12" Depth	12" / 15" / 18" / 21" / 30" / 36" / 42" Height
<b>BASE CABINETS</b>	24" Depth	34 ½" Height
<b>LINEN CABINETS</b>	21" Depth	84" Height
<b>UTILITY CABINETS</b>	24" Depth	84" / 90" / 96" Height
<b>VANITY CABINETS</b>	21" Depth	34 ½" Height

# HIGH QUALITY DRAWERS

Using a unique automated manufacturing system developed in house we created our Infinity Drawer. Why the Infinity Drawer? Because its front, sides and back are 1 piece wrapped around, fully capturing, a 1/2" drawer bottom to create a very strong drawer with a clean exterior look. Undermount slides even for our standard drawer are yet another feature Sauder Cabinetry offers at a value price point

## INFINITY DRAWER

### MITERBOX CONSTRUCTION

V-grooved drawer side glued, folded and nailed to provide strength

### REMOVEABLE FRONT

Easily adjust with screws

### UNDERMOUNT SLIDES STANDARD

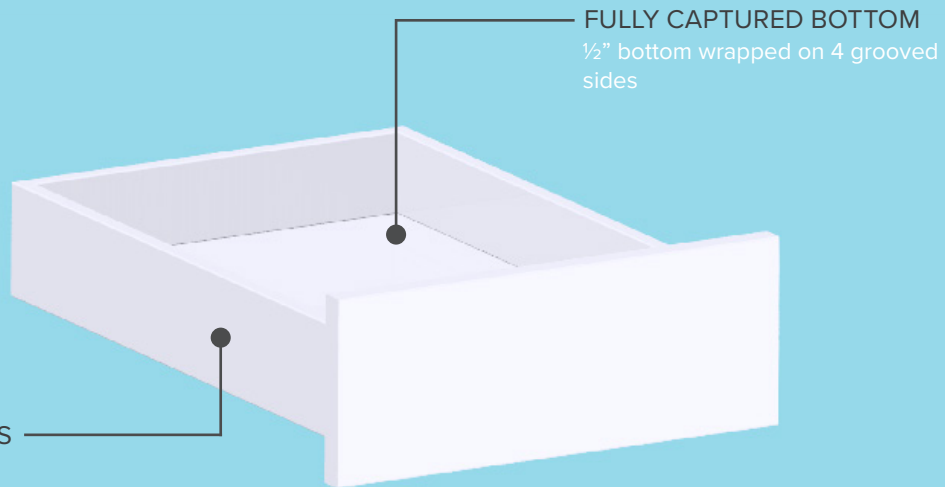
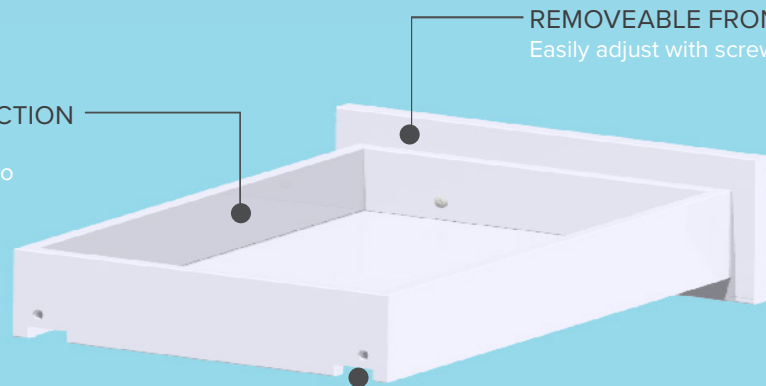
Standard drawers are 3/4 self close and Upgraded drawers are full extension soft close

### FULLY CAPTURED BOTTOM

1/2" bottom wrapped on 4 grooved sides

### POLYPROPYLENE SIDES

Tough and stain resistant laminate material wraps around all but one corner to reduce seams





# KCMA CERTIFIED



ANSI/KCMA A161.1

Trust KCMA, the organization that has set the standard for cabinets since 1965. KCMA's rigorous, in-laboratory compliance program measures the integrity of your cabinetry through over a dozen tests in five categories. These tests evaluate cabinet structure, door and drawer operation, and the cabinetry finish, making certain each feature complies with the nationally recognized standards developed by the Kitchen Cabinet Manufacturers Association.

### 5 Testing Categories

- Weight/Load
- Slide
- Door Swing
- Surface Performance
- Heat Test



KITCHEN CABINET MANUFACTURERS ASSOCIATION, ENVIRONMENTAL STEWARDSHIP PROGRAM (ESP). ALL PRODUCTS IMPACT THE ENVIRONMENT FOR ESP PROGRAM CRITERIA. VISIT KCMA.ORG

## KCMA ENVIRONMENTAL STEWARDSHIP CERTIFICATION

At Sauder, we support and encourage responsible forest management practices that promote sustainability and result in long-term economic and environmental benefits. The KCMA Environmental Stewardship Certification proves our commitment to the intelligent use of our natural resources.

### 5 Benefits of KCMA Environmental Stewardship Certification

- Safe Air Quality & Pollution Prevention
- Sustainable Product Resource Management
- Waste Minimization
- Environmental Stewardship
- Community Service



Shaker Door Style	●	●
Slab Door Style		●

# COLOR

GLACIER WHITE



SLATE



MODERN GRAY

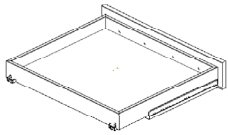
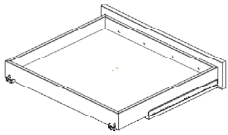


# CONSTRUCTION SPECIFICATIONS

## FRAMELESS CONSTRUCTION

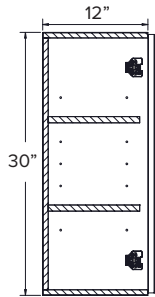
All cabinets are frameless, with full access and full overlay styling. Panels and rail components are joined with engineered dowels, glue, screws or a combination of those components appropriate to the typical use of the cabinet. All frameless case construction is made from commercial grade furniture board with DuraGuard™ laminated, water resistant surfaces. Filler is recommended for all cabinet runs to allow for tolerance stack up.

CABINET CONSTRUCTION	
Back	5/8" furniture board; DuraGuard™ laminate
Side Panels	5/8" furniture board; DuraGuard™ laminate exterior and front edge color matched to door, white interior
Top/Bottom	5/8" furniture board; DuraGuard™ laminate exterior and front edge color matched to door, white interior
Stretcher	5/8" furniture board; DuraGuard™ laminate
Toe Kick	5/8" furniture board; DuraGuard™ laminate
Shelves	Half depth adjustable 3/4" furniture board; DuraGuard™ laminate
Hinges	6 way adjustable, fully concealed soft close steel hinges
Interior	White DuraGuard™ laminate finish

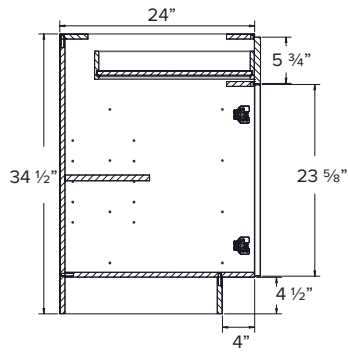
DRAWER CONSTRUCTION		
	STANDARD DRAWER	UPGRADED DRAWER
		
Guides	Self close, 3/4 extension, undermount, 75 lb rating	Soft close, full extension, undermount, 100 lb rating
Sides	1/2" furniture board; polypropylene laminate, miterfold	1/2" furniture board; polypropylene laminate, miterfold
Bottom	1/2" furniture board; polypropylene laminate, captured in a groove, glued from underneath	1/2" furniture board; polypropylene laminate, captured in a groove, glued from underneath
Back	1/2" furniture board; polypropylene laminate, miterfold	1/2" furniture board; polypropylene laminate, miterfold
Drawer Front	Separate, attached with wafer screws	Separate, attached with wafer screws
Adjustment	Adjustable via wafer screws	Adjustable via wafer screws

# CABINET DIMENSIONS

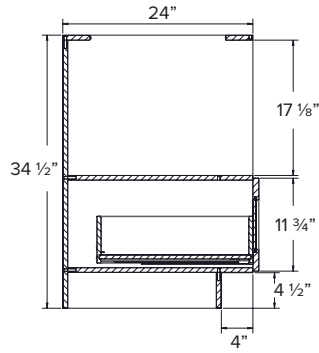
**WALL CABINET**



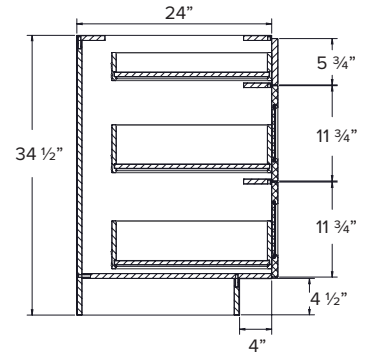
**BASE CABINET**



**MICROWAVE BASE CABINET**

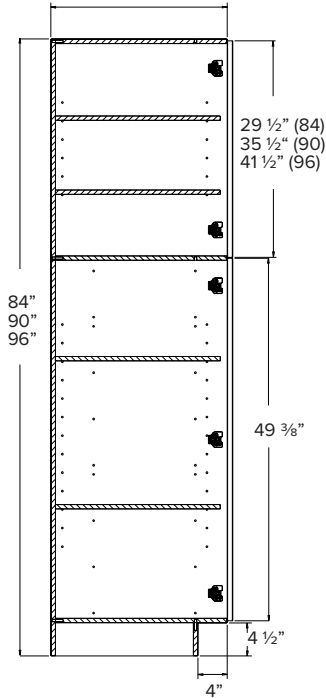


**DRAWER BASE CABINET**

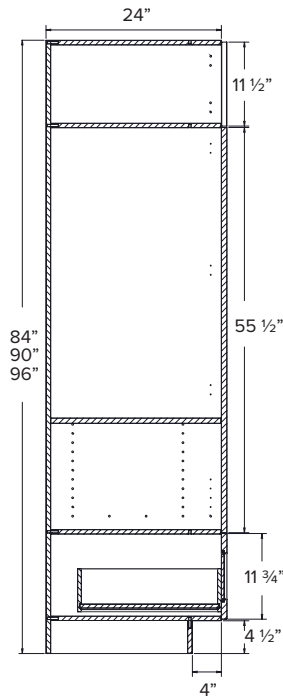


**TALL CABINET**

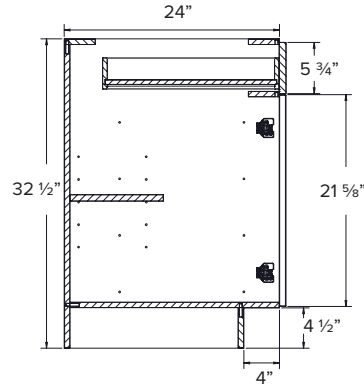
UC - 24" / LC - 21"



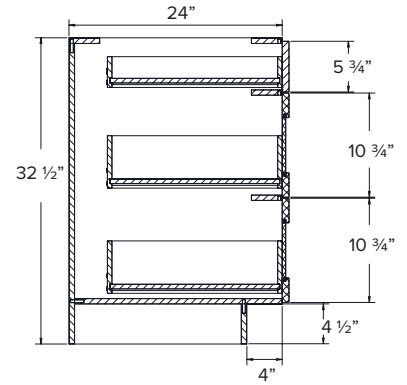
**OVEN CABINET**



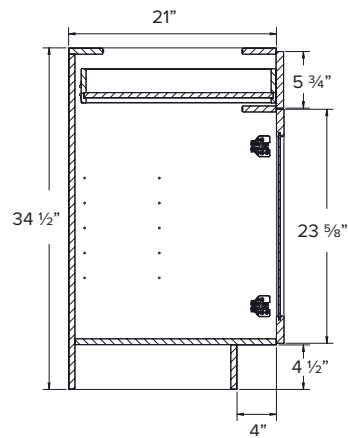
**ADA BASE CABINET**



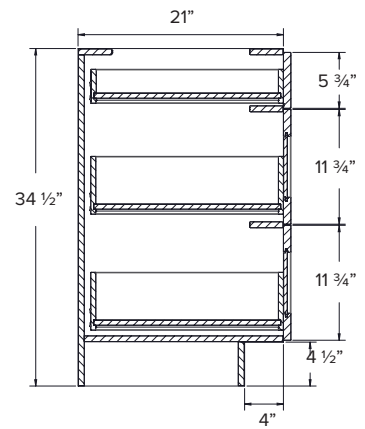
**ADA DRAWER BASE CABINET**



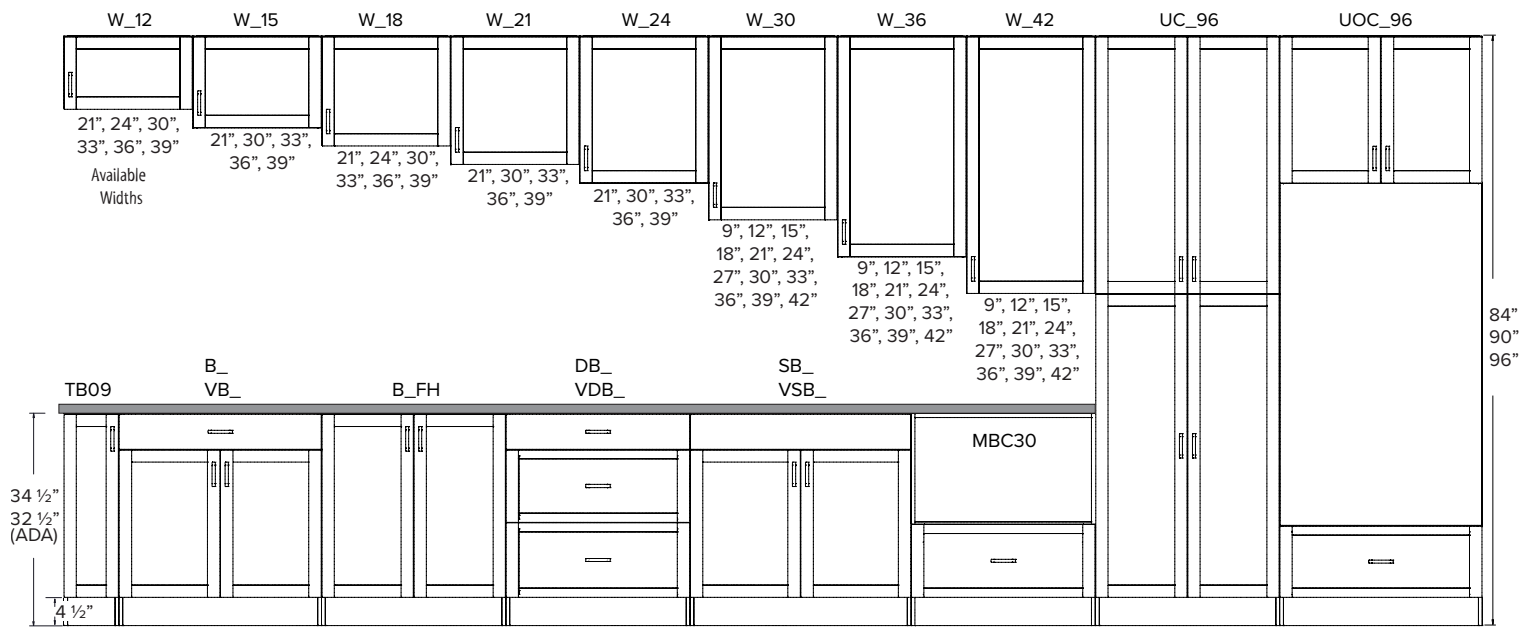
**VANITY BASE CABINET**



**VANITY DRAWER BASE CABINET**



• ADA Height 32.5"H Vanity Base Cabinets also available



# OTHER CABINET OPTIONS

## CABINETS ONLY (NO DOOR/DRAWER FRONTS)

FULLY ASSEMBLED CABINETS WITH NO FRONTS ARE AVAILABLE.

Expand your finish options by using Sauder cabinets with your own door and drawer fronts. Sauder's three cabinet finishes (Glacier White, Modern Gray, and Slate) give flexibility to use many different door/drawer front finishes. *Standard drawer only. Upgraded soft close drawer not available.*

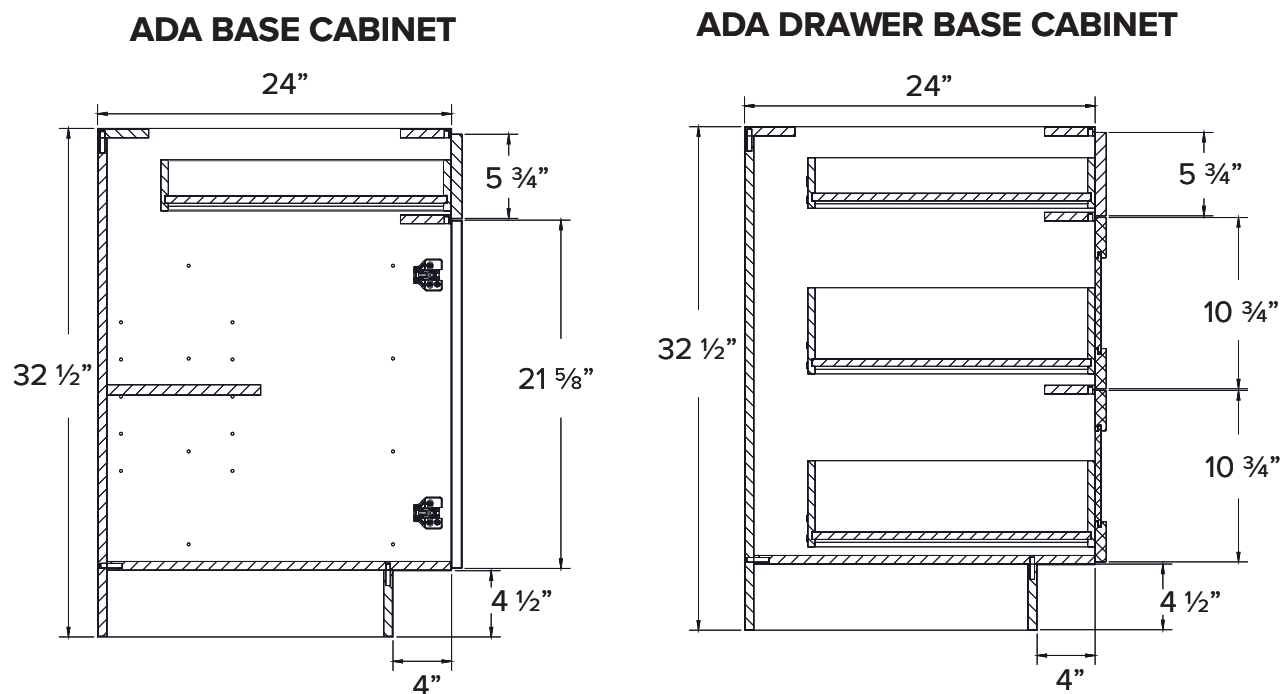
*Extended Lead Time*

## ADA COMPLIANT CABINETS

CABINETS MEET THE AMERICAN DISABILITIES ACT (ADA) GUIDELINES FOR ACCESSIBILITY.

ADA specific features include an overall height of 32 1/2" on base and vanity cabinets.

## ADA COMPLIANT CABINET DIMENSIONS



# CARE & CLEANING

## INDOOR AIR QUALITY

For normal spills, a damp cloth is sufficient. Remember to dry the surface immediately. 360° wrapped DuraGuard™ laminate doors can be cleaned with most general purpose household kitchen or bath cleaners. Do not use strong acids or caustic agents and/or abrasive scrubbers. Nicks and dings can be repaired with touch-up kits. Cabinet interiors can be cleaned with a damp sponge, a cloth using soapy water, or most general purpose household cleaners. Do not let liquids stay on the surface for a long period of time.

### **SAUDER CABINETRY IS TSCA TITLE VI COMPLIANT**

All Sauder Cabinetry meets or exceeds the standards set forth by TSCA TITLE VI for formaldehyde emission standards which are identical to CARB limits.



# INSTALLATION SUGGESTIONS

---

## HINGE ADJUSTMENTS (FIGURE 1)

Soft close hinges can be adjusted six ways. Adjust doors left and right with screw A. Adjust doors in and out (closer or further from the face of the cabinet) with screw B. Adjust doors up and down by loosening screw C on all door hinges; then, turn screw D the same direction and the same amount for each hinge.

## DRAWER FRONT ADJUSTMENTS

Loosen wafer head screws slightly on inside of drawer box. Adjust drawer front as necessary and re-tighten screws.

## FILLER STRIP INSTALLATION

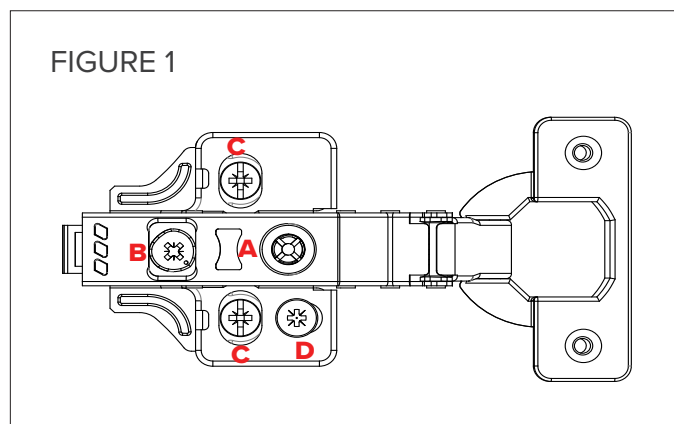
For optimum installation, drill a pilot hole at least 1" deep (or to the full depth of the screw) using a 1/8" drill bit. Use a #8 screw at least 1 5/8" long. *Note: failure to drill a pilot hole will result in MDF splitting. Common screw types such as drywall, decking, construction, cabinet, and trim screws can be used; however, screws with self-drilling tips are best to minimize the risk of splitting the MDF. Filler is recommended on all cabinet runs to allow for tolerance stack up which can result in increased widths.*

## BINDING POSTS

To best align and secure cabinets together, drill through unused shelf pin holes with a 1/4" bit, and secure the cabinets with binding posts through the holes.

## MOUNTING SCREWS

Recommend using at least 3" mounting screws into studs for all Wall Cabinet installations. WMS screws available.







# WARRANTY

## LIMITED 1-YEAR WARRANTY

- 

Sauder Cabinetry warrants its products to the original purchaser to be free from all defects in material and workmanship under normal use for a period of one year from the original purchase date. Items included in this warranty are cabinet boxes, doors, drawers, shelves, and any accessories that are manufactured by Sauder Cabinetry. Any accessories and other products sold with or as part of any of the above-mentioned products that were not manufactured by Sauder Cabinetry are excluded from coverage by this limited warranty.

## WARRANTY LIMITATIONS & EXCLUSIONS

- 

This warranty does not cover any misuse, abuse, neglect, improper storage, exposure to moisture or extreme temperatures, improper installation, improper maintenance, or acts of God. The warranty does not apply to items that have been modified from their original form. In addition, this warranty does not cover any wear or deterioration resulting from natural aging, including expansion, contraction, hairline cracks or minor separation of seams. This warranty shall not apply in situations where loading or performance expectations exceed the Kitchen Cabinet Manufacturers Association testing and certification standards. In addition, this warranty does not cover products used in conjunction with Sauder Cabinetry cabinets, such as appliances, counter tops, or plumbing fixtures. No installer, retailer, distributor, or agent has the authority to alter the obligations or limitations in this warranty.

Sauder Cabinetry will not provide or pay for the cost of removal of defective product, transportation and shipping of defective, repaired or replaced product or installation of repaired or replaced product, regardless of whether the work is performed by a contractor, service company, or consumer. If the defective item is discontinued or not available, Sauder Cabinetry reserves the right to replace the item with the most similar item available at that time. Sauder Cabinetry may require, at its discretion, that the customer submit a clear photo, or that the installer, contractor, or service company view the item being claimed before honoring the warranty. Sauder Cabinetry must be notified in writing, within 90 days after discovering any defect in order to receive limited warranty coverage.

## **WARRANTY PERFORMANCE**

-



**saudercabinetry@sauder.com**  
**800-472-2722**



**Sauder Cabinetry**

502 Middle Street  
Archbold, OH 43502

**PHONE**

800-472-2722

**EMAIL**

saudercabinetry@sauder.com

**WEBSITE**

www.saudercabinetry.com



ANSI/KCMA A161.1



KITCHEN CABINET MANUFACTURERS ASSOCIATION  
ENVIRONMENTAL STEWARDSHIP PROGRAM (ESP)  
ALL PRODUCTS IMPACT THE ENVIRONMENT.  
FOR ESP PROGRAM CRITERIA, VISIT [KCMA.ORG](http://KCMA.ORG)